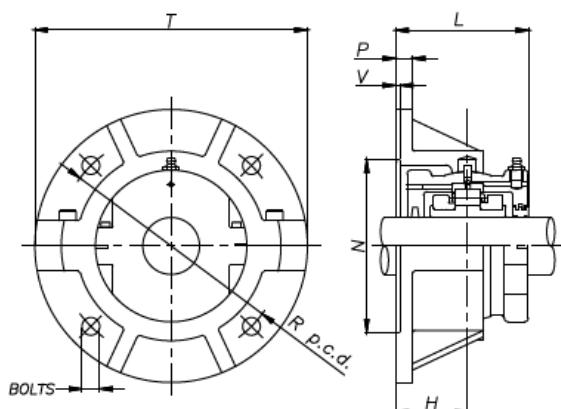




LOXM SUR S.R.L.



TIMKEN MSM70BRHFHTPS Split Cylindrical Roller Bearing Housed Units

Bearing No. MSM70BRHFHTPS

Shaft Size	70 mm
Seal Type	High Temperature Packing
Bearing Type	Split Cylindrical Retained Type
Support Type	Round Flange
Series Type	Medium Series
Bolt Size	4 x M16
Bearing - Housing - Seal	MSM70BRHHTPS
Bearing - Housing - Seal UPC	013992098511
Bearing UPC	013992035141
Dimension T	13.0 in
Dimension R	10.8 in
Dimension P	0.7 in
Dimension H	3.1 in
Dimension N	8.5 in
Dimension V	0.1 in
Dimension L	5.8 in
Cr - Dynamic Load Rating	58001 lbf
Cor - Static Load Rating	67443 lbf
Ca - Axial Load Rating	2383 lbf
Maximum Speed	3080 rpm
Note	This product line was formerly known as "Revolvo"

MSM70BRHFHTPS Bearing 2D drawings and 3D CAD models