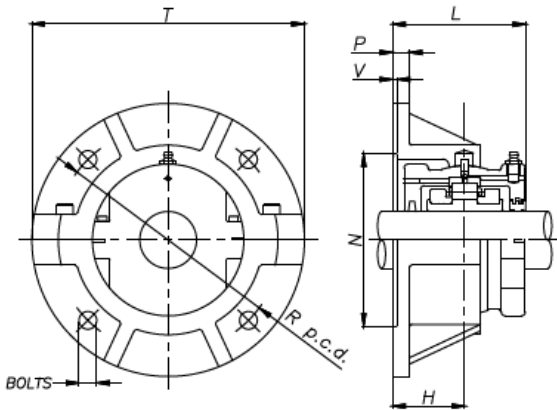




LOXM SUR S.R.L.



TIMKEN MSM70BXHFKPS Split Cylindrical Roller Bearing Housed Units

Bearing No. MSM70BXHFKPS

MSM70BXHFKPS Bearing 2D drawings and 3D CAD models

| | |
|------------------------------|---|
| Shaft Size | 70 mm |
| Seal Type | Kevlar Packing Seal |
| Bearing Type | Split Cylindrical Expansion Type |
| Support Type | Round Flange |
| Series Type | Medium Series |
| Bolt Size | 4 x M16 |
| Bearing - Housing - Seal | MSM70BXHKPS |
| Bearing - Housing - Seal UPC | 013992099013 |
| Bearing UPC | 013992035165 |
| Dimension T | 13.0 in |
| Dimension R | 10.8 in |
| Dimension P | 0.7 in |
| Dimension H | 3.1 in |
| Dimension N | 8.5 in |
| Dimension V | 0.1 in |
| Dimension L | 5.8 in |
| Cr - Dynamic Load Rating | 58001 lbf |
| Cor - Static Load Rating | 67443 lbf |
| Maximum Speed | 3080 rpm |
| Note | This product line was formerly known as "Revolvo" |