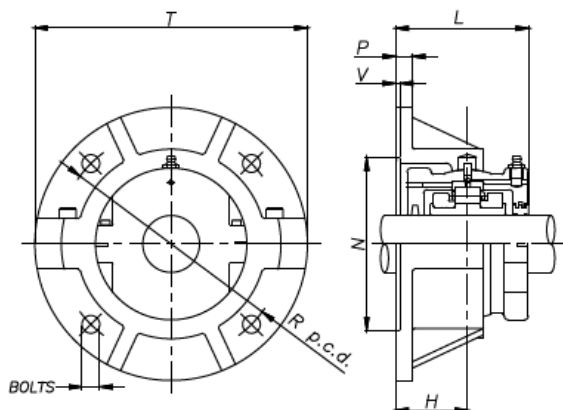




# LOXM SUR S.R.L.



## TIMKEN MSM70BXHF Split Cylindrical Roller Bearing Housed Units

Bearing No. MSM70BXHF

Shaft Size	70 mm
Seal Type	Felt Seal
Bearing Type	Split Cylindrical Expansion Type
Support Type	Round Flange
Series Type	Medium Series
Bolt Size	4 x M16
Bearing - Housing - Seal	MSM70BXH
Bearing UPC	013992035165
Dimension T	13.0 in
Dimension R	10.8 in
Dimension P	0.7 in
Dimension H	3.1 in
Dimension N	8.5 in
Dimension V	0.1 in
Dimension L	5.8 in
Cr - Dynamic Load Rating	58001 lbf
Cor - Static Load Rating	67443 lbf
Maximum Speed	3080 rpm
Note	This product line was formerly known as "Revolvo"

MSM70BXHF Bearing 2D drawings and 3D CAD models