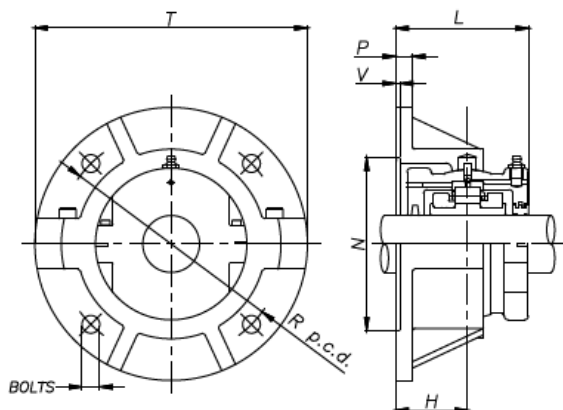




LOXM SUR S.R.L.



TIMKEN MSE212BRHFRSS Split Cylindrical Roller Bearing Housed Units

Bearing No. MSE212BRHFRSS

Shaft Size	2.75 in
Seal Type	Viton Single Lip
Bearing Type	Split Cylindrical Retained Type
Support Type	Round Flange
Series Type	Medium Series
Bolt Size	4 x M16
Bearing - Housing - Seal	MSE212BRHRSS
Bearing - Housing - Seal UPC	013992079909
Bearing UPC	013992031990
Dimension T	13.0 in
Dimension R	10.8 in
Dimension P	0.7 in
Dimension H	3.1 in
Dimension N	8.5 in
Dimension V	0.1 in
Dimension L	5.8 in
Cr - Dynamic Load Rating	58001 lbf
Cor - Static Load Rating	67443 lbf
Ca - Axial Load Rating	2383 lbf
Maximum Speed	3080 rpm
Note	This product line was formerly known as "Revolvo"

MSE212BRHFRSS Bearing 2D drawings and 3D CAD models