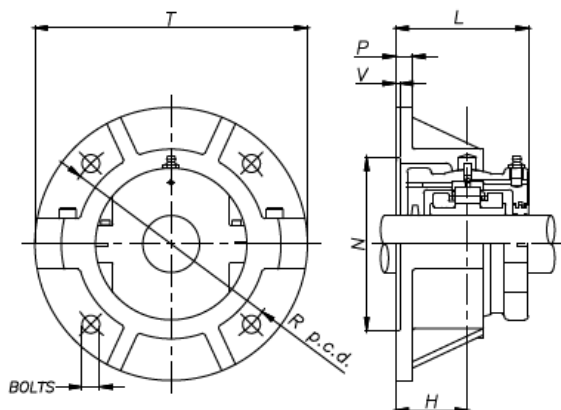




LOXM SUR S.R.L.



TIMKEN MSE212BXHFRSS Split Cylindrical Roller Bearing Housed Units

Bearing No. MSE212BXHFRSS

Shaft Size	2.75 in
Seal Type	Viton Single Lip
Bearing Type	Split Cylindrical Expansion Type
Support Type	Round Flange
Series Type	Medium Series
Bolt Size	4 x M16
Bearing - Housing - Seal	MSE212BXHRSS
Bearing - Housing - Seal UPC	013992080806
Bearing UPC	013992032003
Dimension T	13.0 in
Dimension R	10.8 in
Dimension P	0.7 in
Dimension H	3.1 in
Dimension N	8.5 in
Dimension V	0.1 in
Dimension L	5.8 in
Cr - Dynamic Load Rating	58001 lbf
Cor - Static Load Rating	67443 lbf
Maximum Speed	3080 rpm
Note	This product line was formerly known as " Revolve "

MSE212BXHFRSS Bearing 2D drawings and 3D CAD models