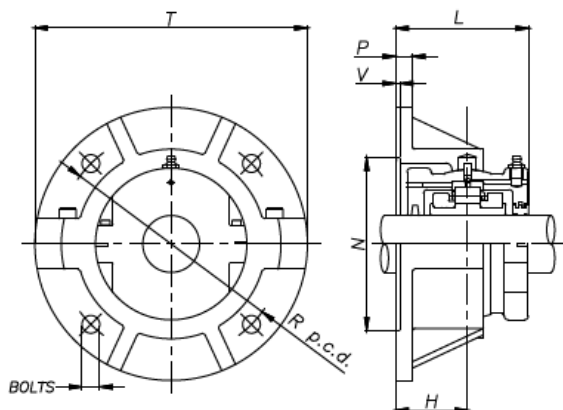




LOXM SUR S.R.L.



TIMKEN MSE212BRHFKPS Split Cylindrical Roller Bearing Housed Units

Bearing No. MSE212BRHFKPS

Shaft Size	2.75 in
Seal Type	Kevlar Packing Seal
Bearing Type	Split Cylindrical Retained Type
Support Type	Round Flange
Series Type	Medium Series
Bolt Size	4 x M16
Bearing - Housing - Seal	MSE212BRHKPS
Bearing - Housing - Seal UPC	013992079855
Bearing UPC	013992031990
Dimension T	13.0 in
Dimension R	10.8 in
Dimension P	0.7 in
Dimension H	3.1 in
Dimension N	8.5 in
Dimension V	0.1 in
Dimension L	5.8 in
Cr - Dynamic Load Rating	58001 lbf
Cor - Static Load Rating	67443 lbf
Ca - Axial Load Rating	2383 lbf
Maximum Speed	3080 rpm
Note	This product line was formerly known as "Revolvo"

MSE212BRHFKPS Bearing 2D drawings and 3D CAD models